

DISTRICT EIGHT

2023
COLLECTION

KNOT COLLECTION



“ WE DESIGN AND
CREATE QUALITY
FURNITURE INSPIRED
BY VIETNAMESE
HERITAGE FOR
MODERN-DAY LIVING.



The rich cultures and heritage of craftsmanship in Sài Gòn resonate deeply with District Eight's innate passion for elevating crafts. This connection inspires the exploration of techniques and solutions that bring authentic ideas and premium materials to life.

From the initial concept to development, and from the artisan's touch to the meticulous production line, every detail is infused with intention and dedication, resulting in furniture pieces of exceptional worth and character.

With a commitment to uncompromising quality, District Eight's distinctive designs have propelled beyond domestic borders, making their mark in markets across Asia, Europe, and America, inspiring international recognition, and elevating Asian designs onto a global stage.

INSPIRATION



Weaving is an evocative art form. It's not just about intertwining strands, but also about the stories, cultures, and generations that are symbolically woven. Knots are about connections, unions, and how seemingly separate threads come together to form a cohesive whole.



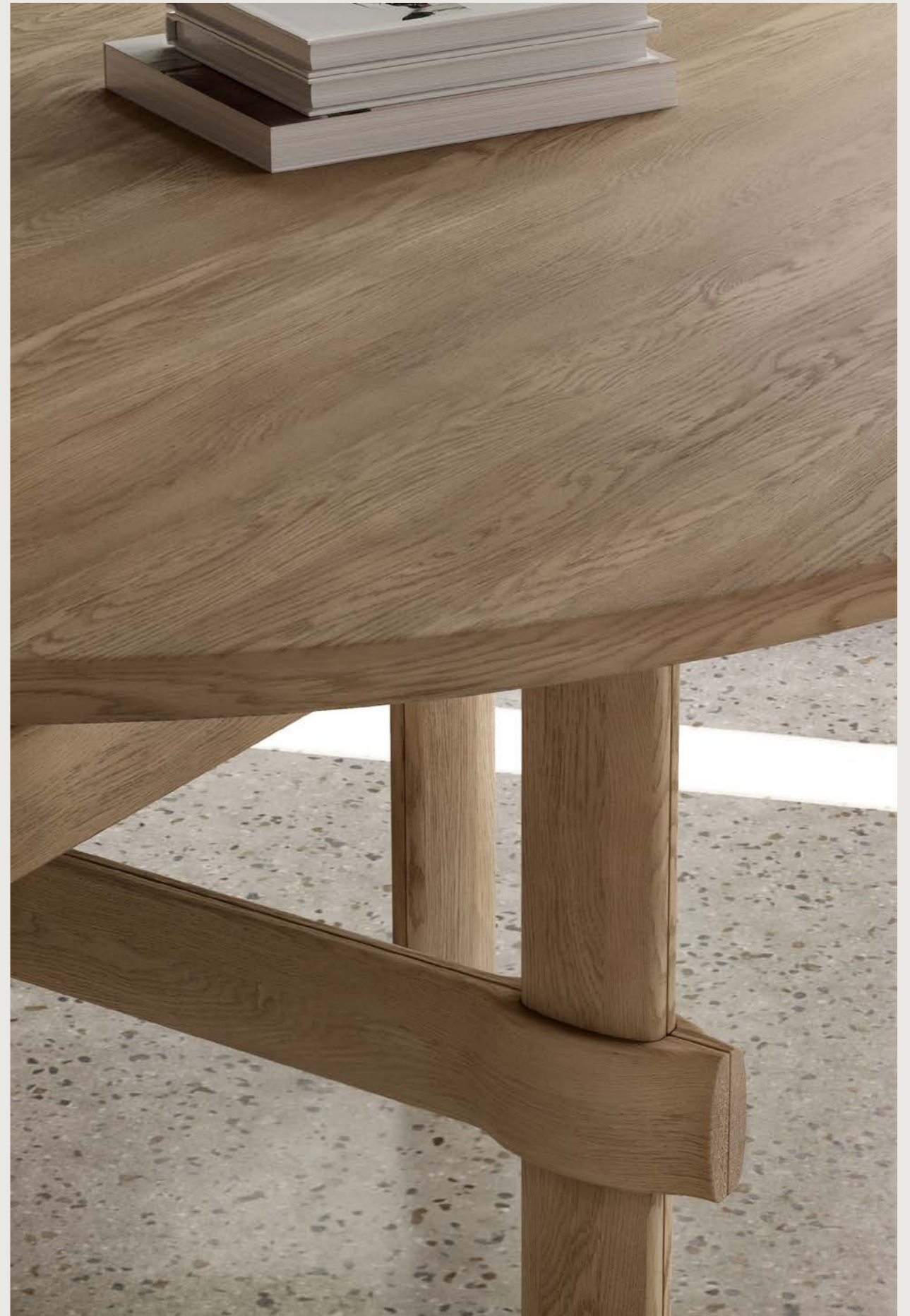


KNOT COLLECTION

Knot Collection draws inspiration from traditional Asian crafts, updated for modern aesthetics. Defined by precision and artistry, each table in the collection features weaving patterns that seamlessly flow between its legs. And every knot in the weave conveys a sense of movement, challenging the rigid conceptions typically associated with solid timber, to create a visually compelling narrative.

In this collection, the knot goes beyond being just a design element. It forms a rhythmic, geometric dance, harmoniously balanced yet intriguingly asymmetrical. The collection pays homage to time-tested crafts, drawing from the stories subtly interwoven into its simple designs.

As its true beauty lies beneath the surface. Knot Collection entices a deeper exploration of its craftsmanship, inviting the discovery of the inspirations and elegance concealed **#UnderTheTable.**



KNOT ROUND TABLE



The design's unique character arises from the intriguing juxtaposition of the wood's natural robustness with the tender intricacies of the knot motifs, providing a glimpse into District Eight's ethos and the timeless art of weaving.





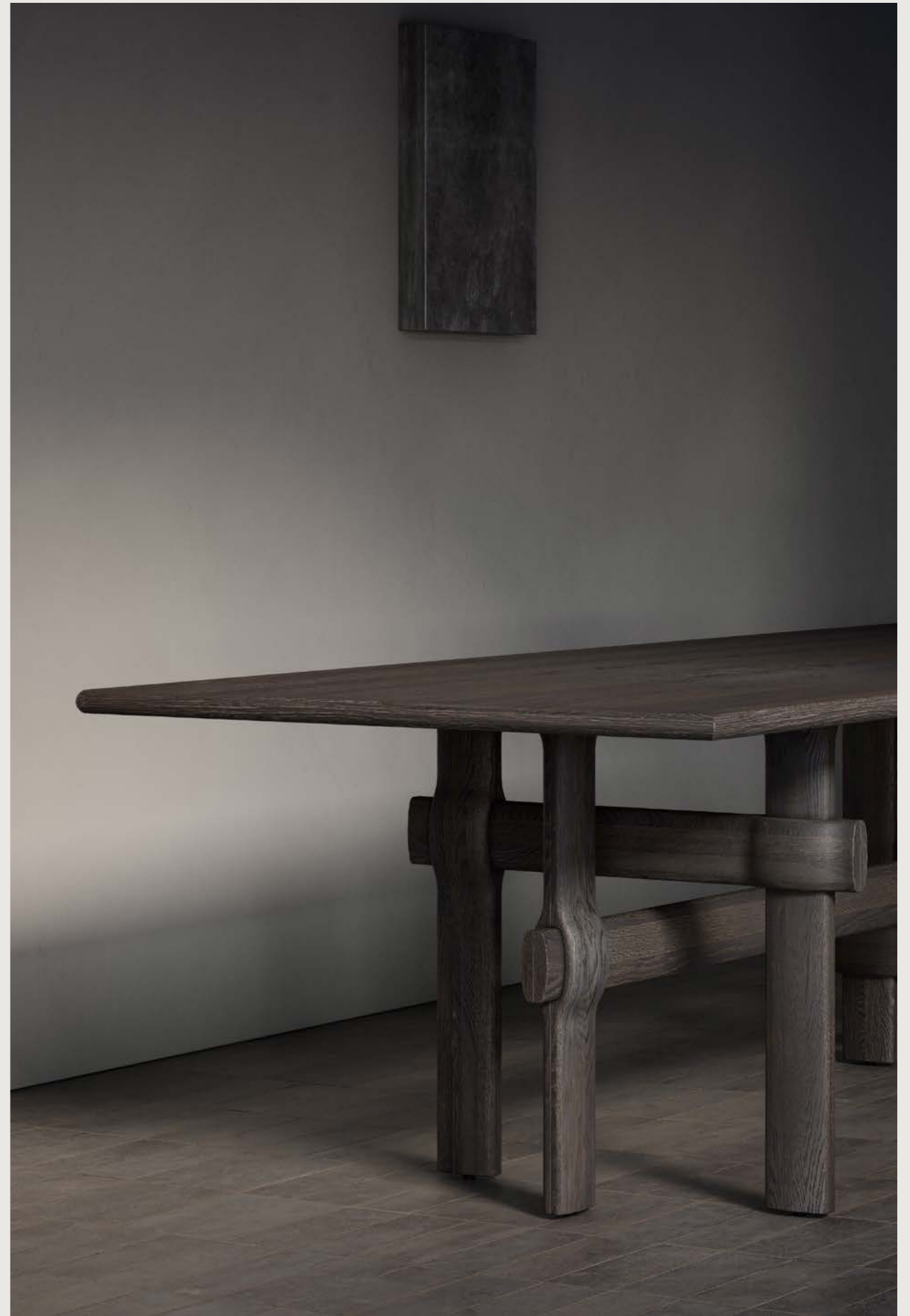


KNOT RECTANGULAR TABLE



Beyond mere aesthetics, the Knot Collection unfolds as a journey into tactile functionality, delivering an immersive experience that is both visually captivating and rich in texture, enticing touch and exploration at every turn.





STYLE INDEX

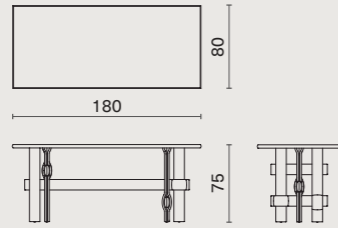
Metric unit: cm

KNOT

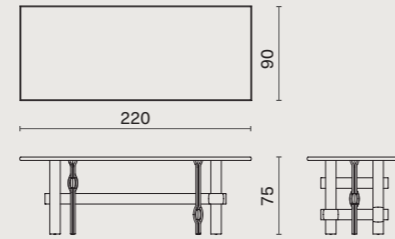
- Oak

The drawings refer to the compositions as shown in the pictures. For further information on availability on sizes, we kindly ask you to get in touch with our stores.

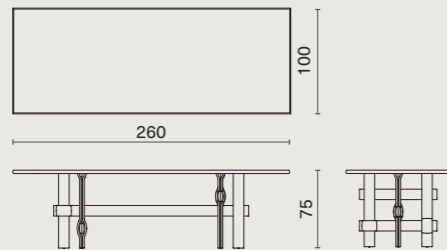
Knot Rectangular Table - Small
M1016-RE-S
L71 W31.5 H29.8 (inch)



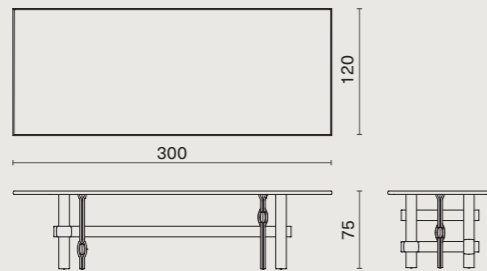
Knot Rectangular Table - Medium
M1016-RE-M
L86.8 W35.5 H29.8 (inch)



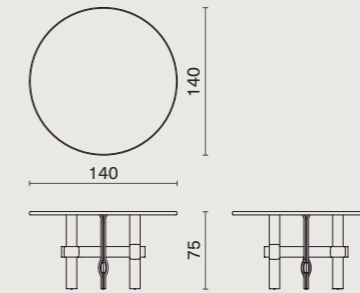
Knot Rectangular Table - Large
M1016-RE-L
L102.5 W39.5 H29.8 (inch)



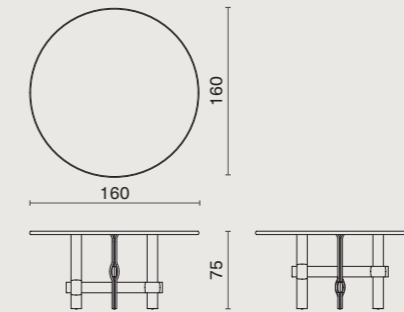
Knot Rectangular Table - Extra Large
M1016-RE-XL
L118.3 W47.3 H29.8 (inch)



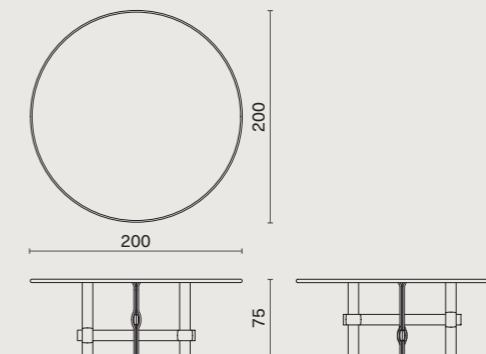
Knot Round Table - Small
M1016-CI-S
L55.3 W55.3 H29.8 (inch)



Knot Round Table - Medium
M1016-CI-M
L63 W63 H29.8 (inch)



Knot Round Table - Large
M1016-CI-L
L78.8 W78.8 H29.8 (inch)



OAK FINISHES



Raw Oak



Beige Oak



Dry Smoked Oak



Ebonized Oak



Seared Oak



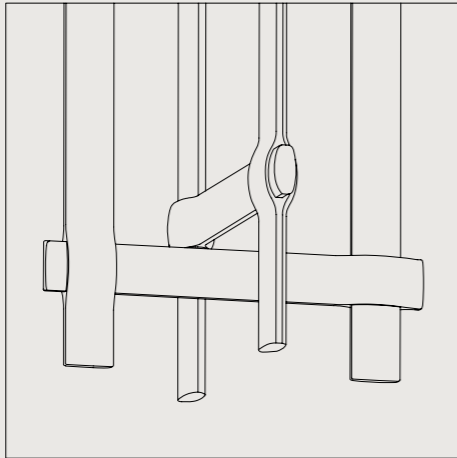
Smoked Oak



Charred Black Oak







DISTRICT EIGHT HEADQUARTERS:

Lot E2, Street 01, Tan Do Industrial Park, Duc Hoa Ha, Duc Hoa,
Long An, Vietnam

DISTRICT EIGHT SÀI GÒN SHOWROOM:

33 Dong Khoi Street, Ben Nghe Ward, District 1,
Ho Chi Minh City, Vietnam

DISTRICT EIGHT ITALIA S.R.L:

Via Giovanni Falcone n.7
62029 Tolentino (MC) Italy

(+84) 90 238 83 10

Sales, projects, technical requests:

info@districteight.com



www.districteight.com