

KNOT ROUND TABLE

M1016-CI-

The Knot Collection boldly reimagines the intricate weaving patterns found in Asian traditional crafts. Challenging the rigid perceptions of solid timber products, each knot in the weave is designed to create a visual rhythm with a sense of softness and fluidity. Knot magnifies the inherent simplicity of the flat weaving pattern, transforming it into a symmetrical and geometric structure.

DISTRICT EIGHT



Oak



KNOT ROUND TABLE

DISTRICT EIGHT

M1016-CI-

DIMENSION

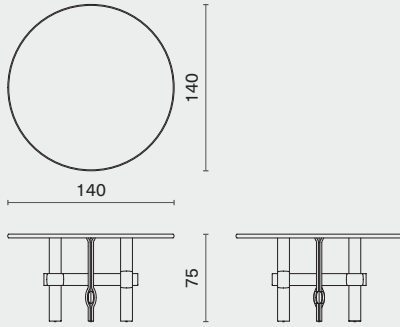
PACKAGING INFO

Knot Round Table - Small
M1016-CI-SML

L140 W140 H75 (cm)
L55.3 W55.3 H29.8 (inch)

Complete

Gross TBA / CBM TBA

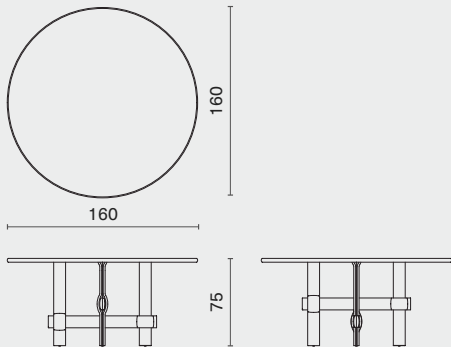


Knot Round Table - Medium
M1016-CI-MED

L160 W160 H75 (cm)
L63 W63 H29.8 (inch)

Complete

Gross TBA / CBM TBA



Knot Round Table - Large
M1016-CI-LAG

L200 W200 H75 (cm)
L78.8 W78.8 H29.8 (inch)

Complete

Gross TBA / CBM TBA

